

10006H

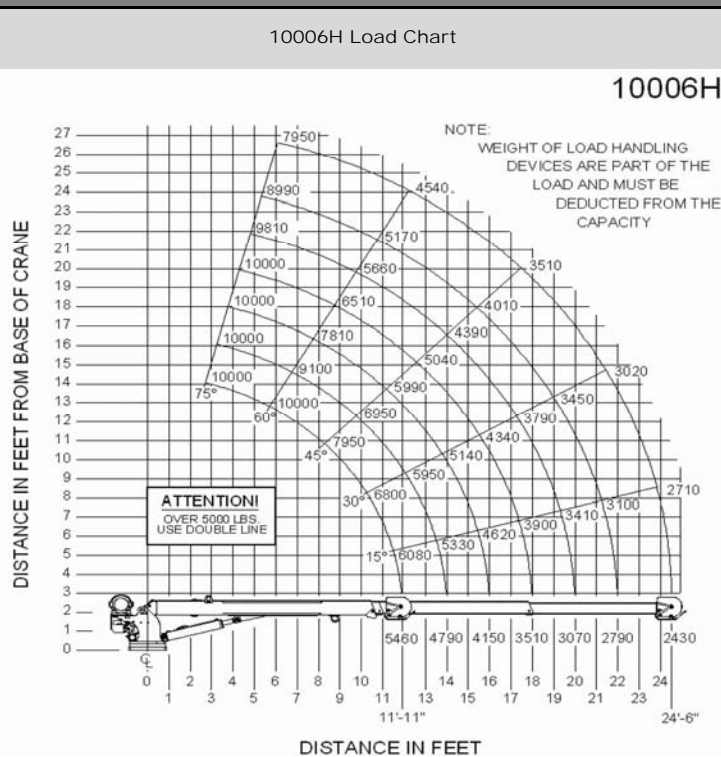
Specifications

Weight	2,335 lbs (1,059 kgs)
Length	14' 8" (4.47 m)
Width	2' .5" (.62 m)
Height	2' 11.5" (.90 m)
Hydraulic Requirements	15 gallons (56.9 L) per minute, at 3,400 psi (234.4 bar)
Base Plate Dimensions	20.75" x 20.5" (.53 m x .52 m)
Boom Down	13-20 seconds (full stroke of cylinder).
Boom Retract	18-24 seconds (full stroke of cylinder)
Full 360° Boom Rotation	58-68 seconds

*Truck must be equipped with appropriate outriggers, throttle control, tachometer, PTO, pump and hydraulic reservoir.

Lifting Capacities

Reach	Manual/Power Boom Extension
3' (.9 m)	10,000 lbs (4,536 kgs)
4' (1.2 m)	10,000 lbs (4,536 kgs)
5' (1.5 m)	10,000 lbs (4,536 kgs)
6' (1.8 m)	10,000 lbs (4,536 kgs)
7' (2.1 m)	8,571 lbs (3,888 kgs)
8' (2.4 m)	7,500 lbs (3,401 kgs)
9' (2.7 m)	6,667 lbs (3,024 kgs)
10' (3.0 m)	6,000 lbs (2,722 kgs)
11' (3.3 m)	5,455 lbs (2,474 kgs)
12' (3.7 m)	5,000 lbs (2,268 kgs)
13' (3.9 m)	4,615 lbs (2,093 kgs)
14' (4.3 m)	4,286 lbs (1,944 kgs)
15' (4.6 m)	4,000 lbs (1,814 kgs)
16' (4.9 m)	3,750 lbs (1,700 kgs)
17' (5.2 m)	3,529 lbs (1,600 kgs)
18' (5.5 m)	3,333 lbs (1,512 kgs)
19' (5.8 m)	3,158 lbs (1,432 kgs)
20' (6.1 m)	3,000 lbs (1,361 kgs)
21' (6.4 m)	2,857 lbs (1,296 kgs)
22' (6.7 m)	2,727 lbs (1,237 kgs)
23' (7 m)	2,609 lbs (1,183 kgs)
24' (7.3 m)	2,500 lbs (1,134 kgs)
25' (7.6 m)	2,400 lbs (1,089 kgs)



Auto Crane Company / 4707 N. Mingo Rd. Tulsa, OK 74117
918-836-0463 / AutoCrane.com

