

3203H

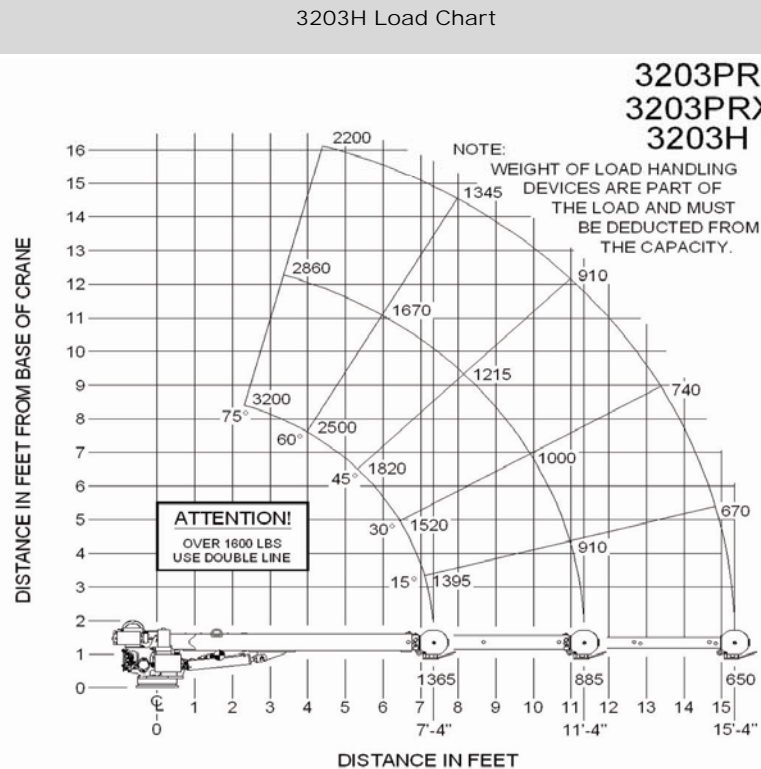
Specifications

Weight	640 lbs (290 kgs)
Length	9' 2.75" (2.81 m)
Width	1' 6.31" (.47 m)
Height	2' (.61 m)
Base Plate Dimensions	1' 2.13" x 1' 4.75" (.36 m x .43 m)
Boom Down	5-7 seconds (full stroke of cylinder)
Boom Retract	4-8 seconds (full stroke of cylinder)
Full 360° Boom Rotation	22-28 seconds

*Truck must be equipped with jack leg or outrigger assembly extending 3' 9" (1.14 m) from centerline of truck, minimum 60 amp alternator, minimum 100 minute reserve capacity H.D. maintenance type battery with 500 cold cranking amp capacity.

Lifting Capacities

Reach	Manual/Power Boom Extension
3' (.9 m)	3,200 lbs (1,452 kgs)
4' (1.2 m)	2,500 lbs (1,134 kgs)
5' (1.5 m)	2,000 lbs (907 kgs)
6' (1.8 m)	1,670 lbs (758 kgs)
7' (2.1 m)	1,430 lbs (649 kgs)
8' (2.4 m)	1,250 lbs (567 kgs)
9' (2.7 m)	1,100 lbs (499 kgs)
10' (3.0 m)	1,000 lbs (454 kgs)
11' (3.4 m)	900 lbs (408 kgs)
12' (3.7 m)	830 lbs (376 kgs)
13' (4.0 m)	770 lbs (349 kgs)
14' (4.3 m)	710 lbs (332 kgs)
15' (4.6 m)	660 lbs (299 kgs)



Auto Crane Company / 4707 N. Mingo Rd. Tulsa, OK 74117
918-836-0463 / AutoCrane.com

