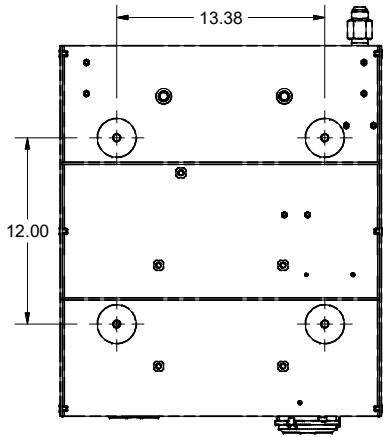
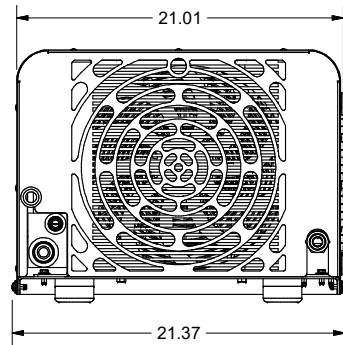


20013-006

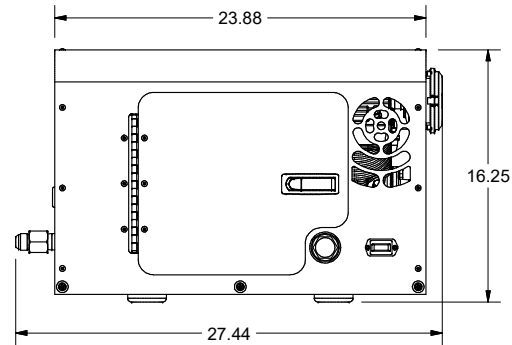
**MOUNTING VIEW
(FROM BOTTOM OF
MACHINE)**



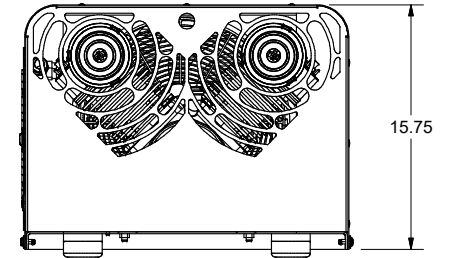
**CONNECTION/COOLER
SIDE OF MACHINE**



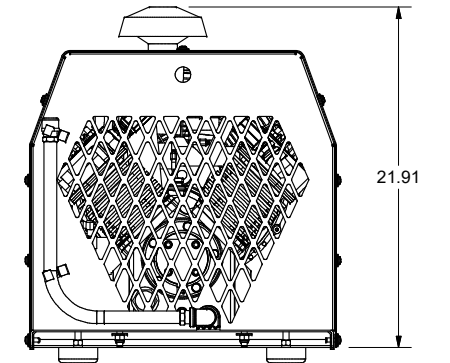
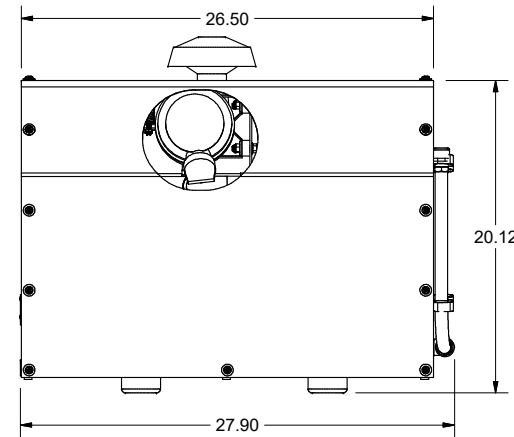
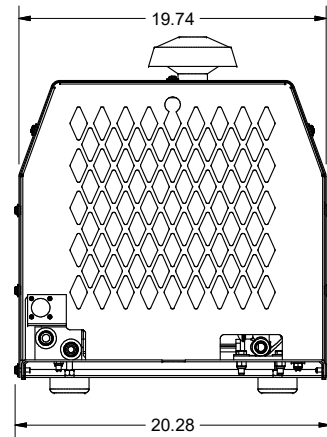
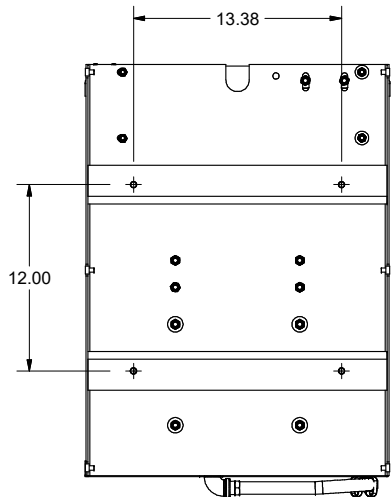
**SERVICE DOOR
SIDE OF MACHINE**



**AIR INTAKE
SIDE OF MACHINE**



20013-004



PROPRIETARY INFORMATION THE DRAWING AND ALL THE CONTENTS ARE PROPERTY OF BOSS INDUSTRIES, INC. AND MUST NOT BE COPIED OR MADE PUBLIC. IT IS LOANED AND IS SUBJECT TO RETURN UPON DEMAND. THE INFORMATION CONTAINED IN THIS DRAWING IS CONFIDENTIAL AND MUST NOT BE USED, DIRECTLY OR INDIRECTLY, IN ANY WAY DETRIMENTAL TO THE INTERESTS OF BOSS INDUSTRIES, INC.	MACHINING SURFACES FINISHES: 150 5.000 TO 1.000 + .015 1.000 TO .500 + .010 .500 TO .100 + .005 .1000 TO .0500 + .002 .0500 TO .0100 + .001	UNMACHINED SURFACES FINISHES: 150 DECIMAL + .03 WHOLE INCH + .1 SQUARE ROOT SURFACES	BOSS INDUSTRIES 1761 GENESIS DR. LA PORTE, IN 46350	
	DESCRIPTION BA440 20013-006 VS 20013-004			
	DRAWN 8/30/2022	SIZE D	SCALE 1 = 4	DWG NO 20013-006 VS 20013-004
	CHECKED N/A	REV 0	DATE 8/30/2022	REV 0