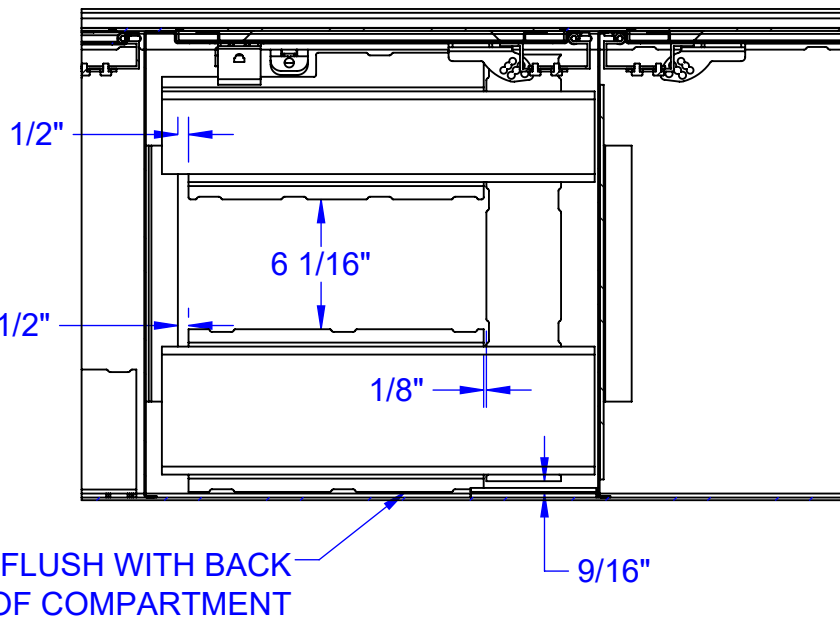
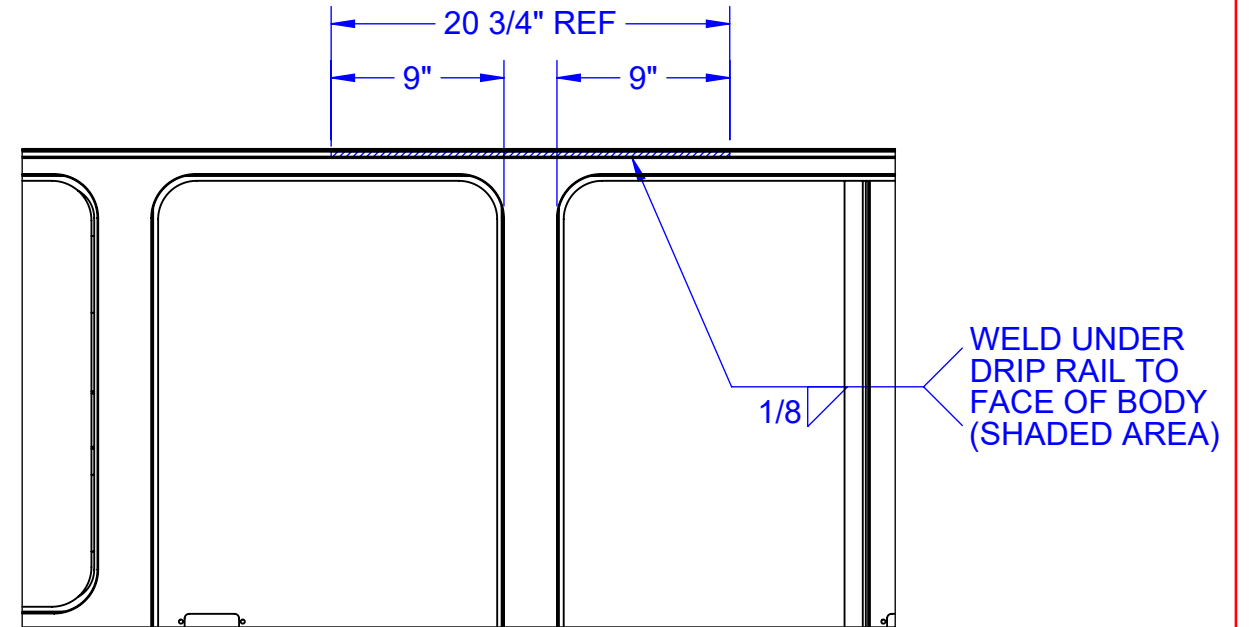


WELD: MINIMUM YIELD 36,000 PSI
BODY SHOWN AS REFERENCE

SECTION A-A

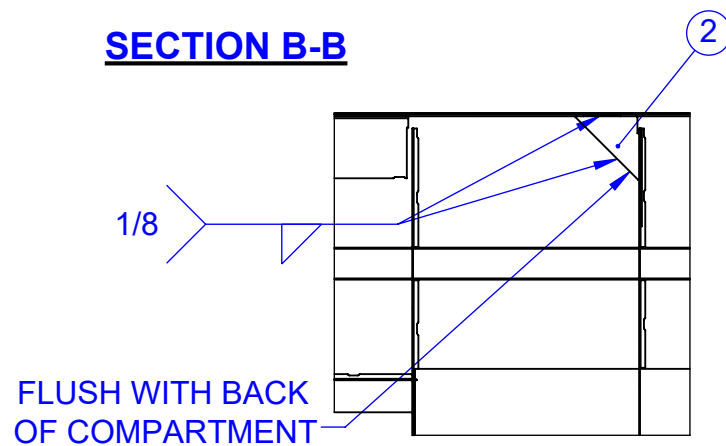


SECTION B-B



NOTE:
1. INLCUDE 715068047 MANUAL PAGES WITH KIT

NOTES	BOM REVS	ITEM NO.	QTY	PART NUMBER	DESCRIPTION
		1	1	715068036	CHANNEL, BOOM SUPPORT REINFORCEMENT W/CUTOUT, T50-60 84CA RETRO
		2	1	715068006	ANGLE, BOOM SUPPORT REINFORCEMENT
		3	1	715068035	CHANNEL, BOOM SUPPORT REINFORCEMENT, T50-60 85CA. RETRO
		4	1	715068037	PLATE, REINFORCEMENT, 18.5" X 9.15" RETRO
		5	1	715068045	PLATE, REINFORCEMENT, 20" X 3.5" RETRO
1		6	1	715068047	MANUAL, TITAN 50-60 84CA REINFORCEMENT, INSTALLATION



SECTION C-C

700300	A	PRODUCTION RELEASE	1/13/20	CDS
ECN#	REV.	DESCRIPTION	DATE	BY
		REVISIONS		

UNLESS OTHERWISE NOTED
ALL DIMENSIONS ARE IN INCHES.

TOLERANCES UNLESS OTHERWISE SPECIFIED:
 ANGLES ± 1/2°
 FRACTIONAL ± 1/16

REMOVE ALL BURRS AND SHARP EDGES. DO NOT SCALE THIS DRAWING.
TOLERANCES NOT SHOWN ABOVE ARE PER ANSI Y14.5-1973

THIS PRINT IS THE PROPERTY OF AUTO CRANE CO. AND MUST NOT BE USED IN ANY MANNER DETRIMENTAL TO THEIR INTERESTS.

AUTO CRANE

4707 NORTH MINGO ROAD
P.O. BOX 580697
TULSA, OKLAHOMA 74158-0697
918-836-0463

TITLE: **KIT, REINFORCEMENT, TITAN 50-60 84CA, RETROFIT**

DRAWN BY	DATE	SIZE	DRAWING NO.	REV
CDS	1/13/20	B	715068043	A

SCALE: DO NOT SCALE DRAWING WEIGHT: 33.06 LBS SHEET: 1 OF 1