

DATE: 01-Apr-2019

TO: Auto Crane Dealers

SUBJECT: NexStar™ Hydraulic Cranes with Lower Flow

PART NUMBERS OF AFFECTED PRODUCTS:
HC-12s and HC-12 NexStar Cranes

SERIAL NUMBERS OF AFFECTED PRODUCTS
HC12S-0419-nnnn
HC12-0419-nnnn

Overview

Auto Crane is actively working to reduce the flow on the larger NexStar hydraulic cranes.

HC-12s and HC-12

The HC-12s and HC-12 NexStar cranes hydraulic requirements changed from 15 gpm @ 2,750 psi for full speed, multi-function operation to **10 gpm @ 3,000 psi** measured at the crane at the gage port on the side of the valve block.

Hoist PN 123435 changed to PN 123449 as shown in Figure 1 – RPH6000 Hoist 123449.

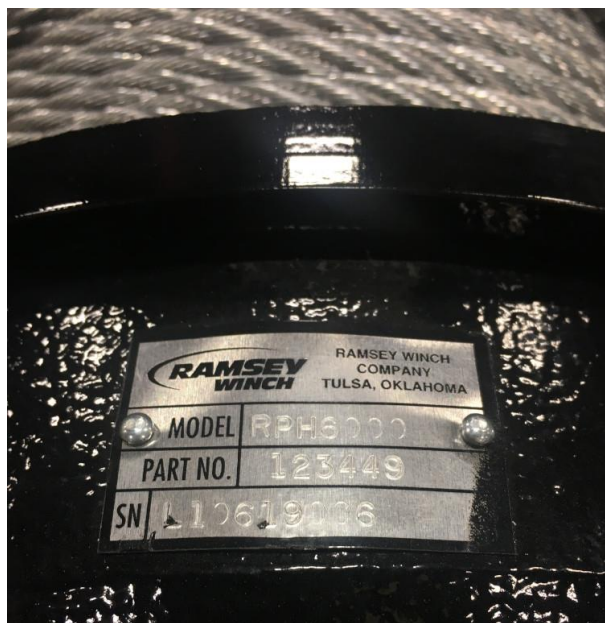


Figure 1 – RPH6000 Hoist 123449

Besides looking at the PN on the hoist tag, the only other way to physically tell the difference in the hoist is to measure the overall length and see that it's a 1/10th inch shorter. The motor itself is what changed in the design and has a 6 - 5/8th in length.



Figure 2 - Motor 458119 Length

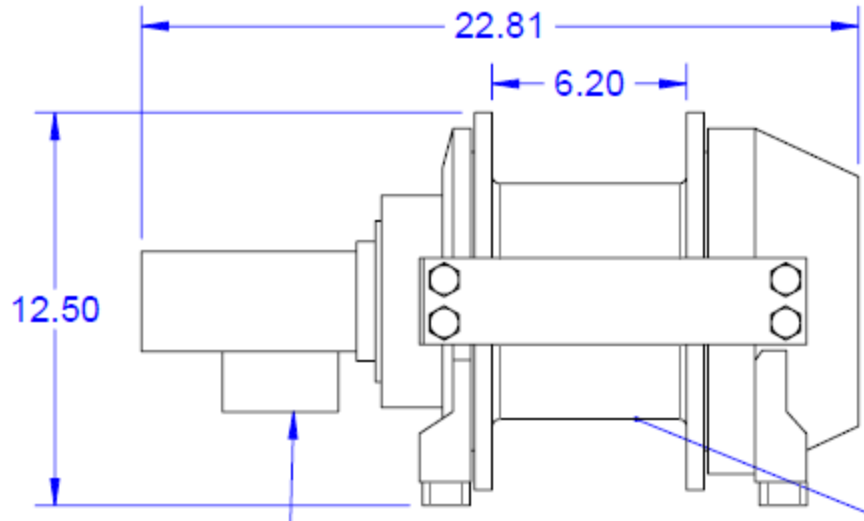


Figure 3 - Higher Flow Hoist 123435 (prior to April 2019)

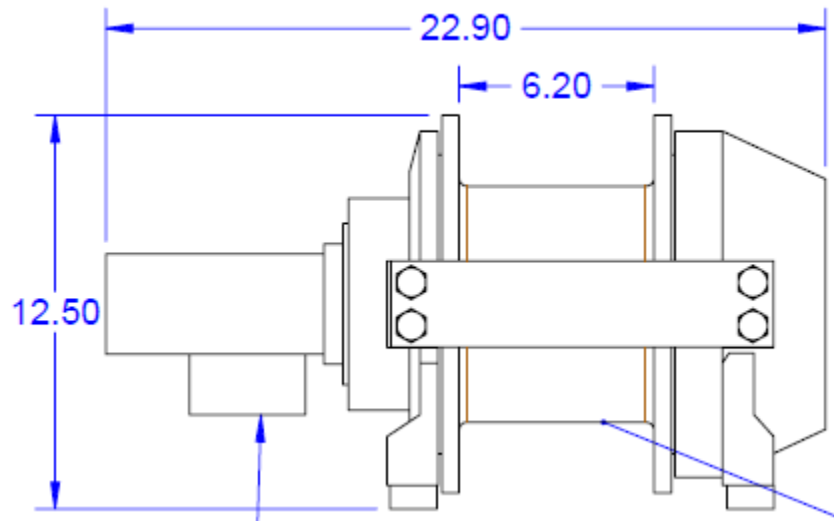


Figure 4 - Lower Flow Hoist 123449 (April 2019 and newer)

Q: Can I upgrade my higher flow hoist to the new lower flow hoist?

A: Short answer, yes!

Order motor PN 458119 from your nearest Auto Crane dealer which can be located using our website.

Note that the PTO speed or pump will need to change to reduce the overall system flow and heat and reach the necessary 3,000 psi at the crane.

For questions or concerns please contact our customer service group at 800.777.2760 or 918.438.2760.